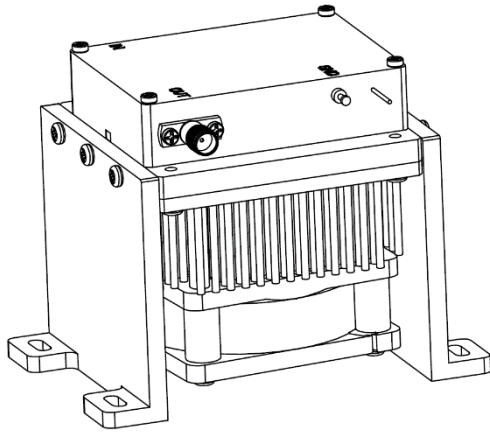


40-60GHz Broadband Amplifier, +34dBm

2022-3-7



Product Overview

AT-PA-4060-4034VGNT is high gain power amplifier with +34dBm output power in the frequency of 40-60GHz. The DC power requirement is +20V/2.8A. Supply voltage can be from +20 to 22V. The module is with 1.85mm connector.

AT-PA-4067-4034VGNT and AT-PA-4060-4060VGNT are same design. PA-4067 is extended to 67GHz with selection and higher price, while PA-4060 is the standard product without guarantee for 60+GHz performance.

More information, please visit www.atmicrowave.com

Advantages

- ✓ Frequency: 40-60GHz
- ✓ Pout: +34dBm
- ✓ Small signal gain: 40dB
- ✓ Single Power Supply

Application

- ✓ 5G Communication
- ✓ Test Equipment
- ✓ ROF (RF Over Fiber)
- ✓ Radar System

Key Features

Parameter	Min	Typical	Max
Frequency		40-60GHz	
Gain	35dB	40dB	
P1dB		TBD	
Psat	+33dBm	+34dBm	
Drain Supply		+20V	+22V
Current/Quiescent		1.8A	
IDD Psat		2.8A	
Input Return Loss		-10dB	
Output Return Loss		-7dB	
Spec Temp		25C	





AT-PA-4060-4034VGNT

40-60GHz Power Amplifier

Mechanical Information

Item	Description
Input Port	1.85mm Female
Output Port	1.85mm Female
Case Material	Copper
Finish	Gold Plated
Weight (Without Heatsink)	150g
Size:	See outline

Absolute Maximum Ratings Table

Parameter	Value
Drain Supply	+24V
RF Input Power	+15 dBm
Operating Temperature	-20 to +70C
Storage Temperature	-67 to +150C

Caution:

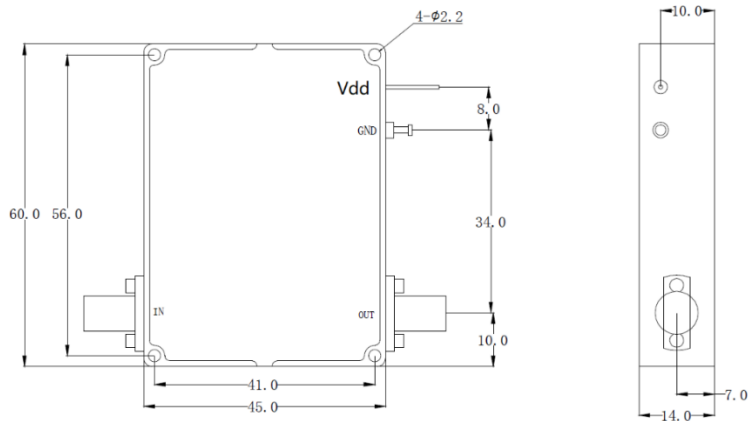
Please pay attention to the case temperature. If case temperature exceeds +50C, heat sink and fan are required, or the amplifier may be damaged.

Notes:

1. Datasheet may be changed according to update of MMIC, Raw materials , process, and so on.
2. This data is only for reference, not for guaranteed specifications.
3. Please contact AT Microwave team to make sure you have the most current data.



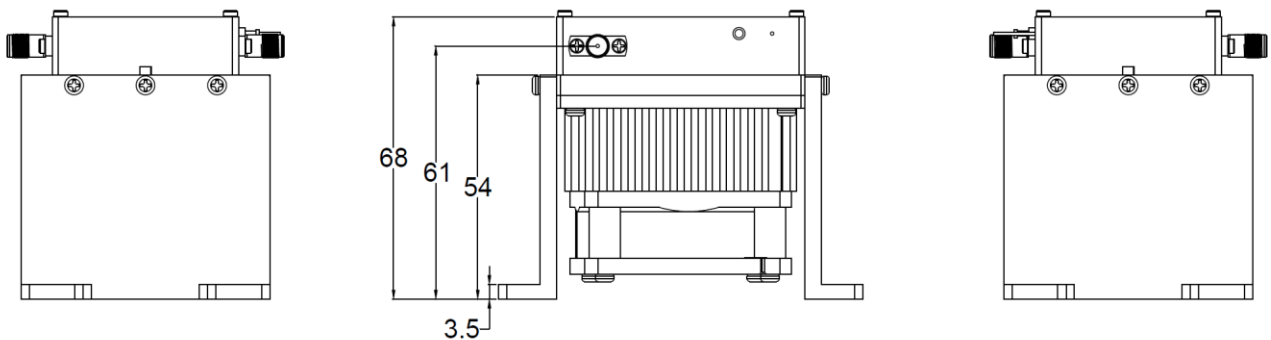
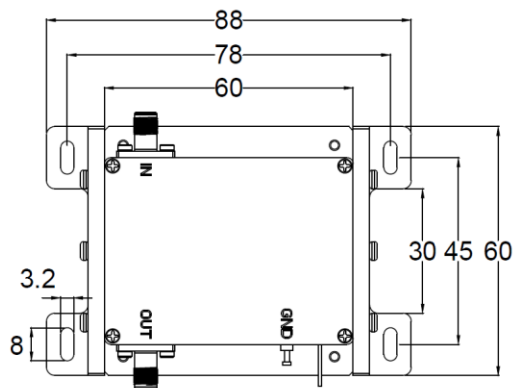
Dimension: (unit mm)



	<26.5GHz	<40GHz	<50GHz	<67GHz
Connector	SMA	2.92mm	2.4mm	1.85mm
Length of a	9.4mm	9.5mm	10.8mm	11.3mm

Note: Female Default. Contact with us for other types.

Outline without heatsink. Heat Sink Required During Operation



Outline-HF option with heatsink

